



Your project deserves it.



WIWA agitators

WWW.WIWA.COM

Pneumatic container agitators				
25 l feed container		50 and 70 l feed containers	95 l container / 30 l barrel	
Agitator	Propeller	Propeller	Inclined blade	2x inclined blade
Agitator Ø (mm)	150	150	300	300
Power (W)	700	700	700	1250
Speed (rpm)	220	220	220	218
ATEX inside + outside Zone 1	0668049	-	0666063	-
ATEX inside zone 0 * ATEX outside zone 1**	0674320	0674321	0666064	0668380

Pneumatic container agitators			
120 l PE drum		216.5 l barrel	
Agitator	Disc	2x inclined blade	Disc
Agitator Ø (mm)	260	400	260
Power (W)	700	700	700
Speed (rpm)	220	220	220
ATEX inside + outside Zone 1	-	0666061	-
ATEX inside zone 0 * ATEX outside zone 1**	0674322	0666062	0674323

*ATEX Zone 0 = II1GcIIBT3
**ATEX Zone 1 = II2GcIIBT3

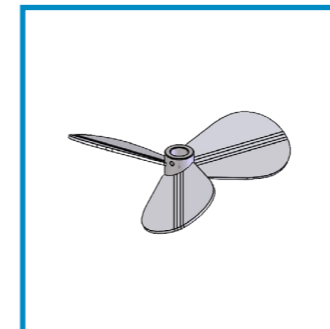


ATEX zone 0 refers to the inner part of the agitator, which is limited by the mounting flange. ATEX zone 1 refers to the area around the motor, including the gearbox and flange.

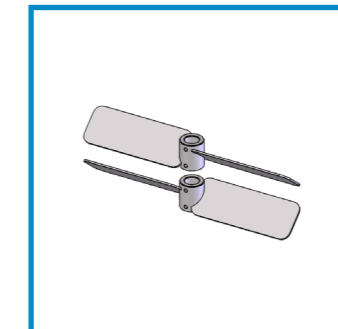
Pneumatic container agitators				
20 l drum		216.5 l barrel	216.5 l barrel bung hole	
Agitator	Stirring basket	Propeller	Paddle screw	Foldable mixing blade
Agitator Ø (mm)	90	150	50	200
Power (W)	300	700	700	700
Speed (rpm)	500 - 6000	300 - 3000	300 - 3000	300 - 3000
ATEX inside + outside Zone 1	0665248	0667331	0665618	0665721



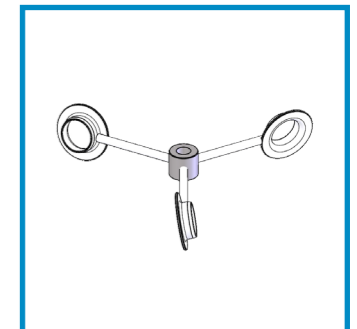
Here you will find our range of agitators with higher speeds.



Propeller
(e.g. for part no. 0661873)



Pushing/lifting inclined blade
(e.g. for part no. 0666062)



Disc
(e.g. for part no. 0674323)

Pneumatic container agitators			
1000 l IBC			1000 l container
Agitator	Foldable mixing blade	Foldable disc	Inclined blade
Agitator Ø (mm)	350 / 140	500	400
Power (W)	700	700	700
Speed (rpm)	220	220	220
ATEX inside + outside Zone 1	0666065	-	-
ATEX inside zone 0 * ATEX outside zone 1**	0666066	0663028	0665053

*ATEX Zone 0 = II1GcIIBT3
**ATEX Zone 1 = II2GcIIBT3



Pneumatic hand agitators		
Agitator	Stirring basket	
Agitator Ø (mm)	110	90
Power (W)	700	300
Speed (rpm)	300 - 3000	500 - 6000
ATEX Zone 1		
Part No.	0664911	0664918

Pneumatic agitator mounting kit for chassis - open containers					
Pump type	18066 - 45046 PROFESSIONAL 24026 - 28064	18066 - 45046 PROFESSIONAL 38032 - 44032	HERKULES	10066 + 15042	HERKULES GX
Agitator	Stirring basket				
Agitator Ø (mm)	110	110	110	110	110
Power (W)	700	700	700	700	700
Speed (rpm)	300 - 3000	300 - 3000	300 - 3000	300 - 3000	300 - 3000
ATEX Zone 1					
Part No.	0634416	0658707	0642709	0627723	0660322

Mounting kits for forklift trucks available on request

Electric container agitators 400 V					
216.5 l barrel					
Agitator	Inclined blade	Inclined blade	Inclined blade	Disc	Propeller
Agitator Ø (mm)	400	400	400	260	350
Power (W)	370	750	750	95	95
Speed (rpm)	95	300	50-300	370	370
Without ATEX	-	-	0666550	-	-
ATEX inside + outside Zone 1	0666355	0666358	-	-	0641291
ATEX inside zone 0 * ATEX outside zone 1**	0665049	0666359	0666551	0660551	0661873



Electric container agitators 400 V				
1000 l IBC				1000 l container
Agitator	Foldable inclined blade	Foldable inclined blade	Foldable Disc	Inclined blade
Agitator Ø (mm)	350/140	350/140	500	400
Power (W)	750	1500	750	750
Speed (rpm)	170	95 - 300	170	170
Without ATEX	-	0666552	-	-
ATEX inside zone 0 * ATEX outside zone 1**	0666356	0666360	0663027	0665055

*ATEX Zone 0 = II1GcIIBT3
**ATEX Zone 1 = II2GcIIBT3